

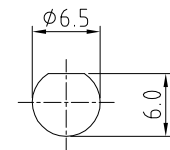
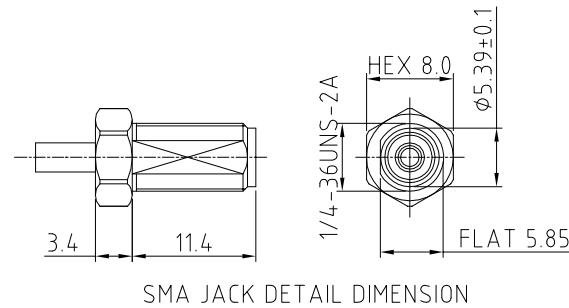
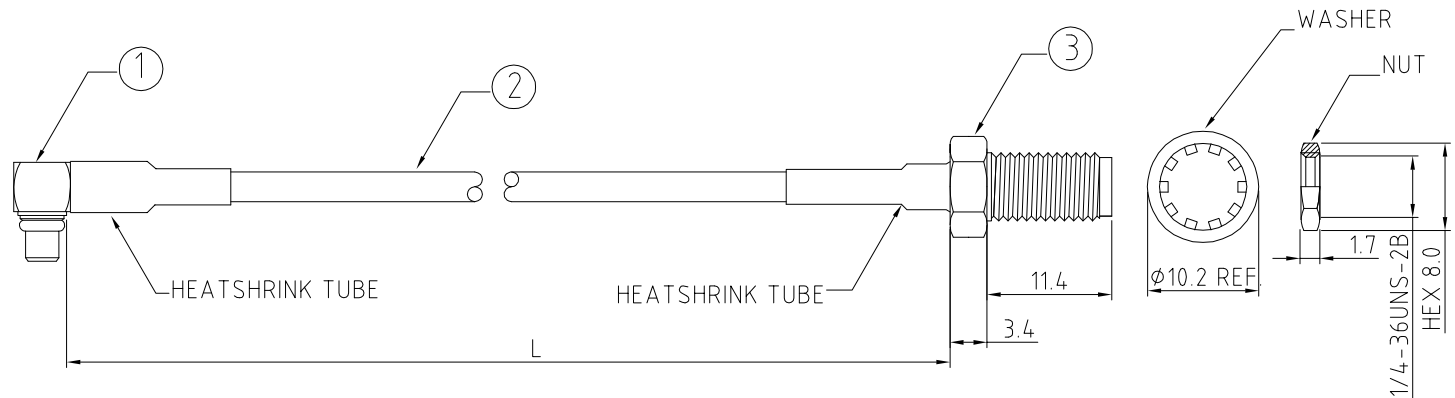
CABLE 037 RF: RF CABLE ASSEMBLY, MMCX R/A PLUG + SMA BULKHEAD JACK+ MULTIPLE CABLE SIZES

SPECIFICATIONS:

1. MMCX RIGHT ANGLE PLUG, GOLD. P/N:  
FOR RG174/RG316 CABLE: RFCT-MMCX004-M74.  
FOR RG178 CABLE: RFCT-MMCX003-M78.
2. MIT COAXIAL CABLE (REFER TO P/N FOR DETAIL)
3. SMA STRAIGHT BULKHEAD JACK, GOLD. P/N:  
FOR RG174/RG316 CABLE: RFCT-SMA036-F74.  
FOR RG178 CABLE: RFCT-SMA010-F78.

NOTES:

1. THE ORIENTATION OF CONNECTORS ON DRAWING IS FOR REFERENCE ONLY, IF THE ORDER IS LEFT BLANK THE CONNECTOR WILL NOT HAVE FIXED ORIENTATION.
2. FIXED ORIENTATION IS SUGGESTED FOR CABLE LENGTH 25MM TO 100MM. PLEASE SPECIFY THE FIXED ORIENTATIONS FROM THE ORDER CODE (F1, F2, ETC)
3. CONTACT GRAD CONN IF THE ORIENTATION YOU REQUIRE IS NOT SHOWN.
4. WORKING FREQUENCY RANGE: DC - 3GHz.
5. IMPEDANCE: 50 OHM.
6. TEMPERATURE RANGE:  
-20°C TO +80°C (RG174 CABLE)  
-40°C TO +125°C (RG316/RG178 CABLE)



RECOMMENDED SMA MOUNTING HOLE

HOW TO ORDER

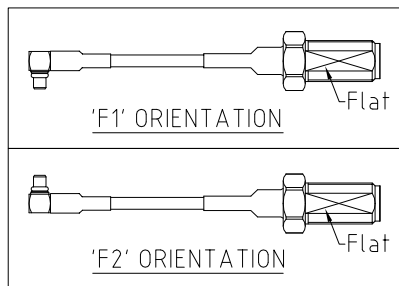
CABLE 037 RF - XXXX - X - XX - X

"L" LENGTH IN MM  
eg: 100MM = 0100  
(MIN. 025-MAX.400  
STANDARD = 100, 150, 200)  
Tolerance: <50mm : ±2mm.  
51-200mm: ±5mm.  
201-500mm: ±7mm.  
>501mm: ±10mm.

WASHER AND NUT OPTIONS:  
BLANK = SEPERATELY PACKED (STANDARD)  
A = ASSEMBLED WITH CONNECTOR

CABLE SIZE OPTIONS:  
BLANK = RG174 CABLE, COLOR: BLACK  
1 = RG316 CABLE, COLOR: BROWN  
2 = RG178 CABLE, COLOR: BROWN

ORIENTATION OPTIONS:  
BLANK = DOES NOT HAVE A FIXED ORIENTATION  
F1 = MMCX CONNECTION DOWN (L=25-220MM)  
F2 = MMCX CONNECTION UP (L=25-220MM)  
(SEE NOTES 1, 2, 3 AND DIAGRAMS FOR MORE INFORMATION)



REV. DATE & DRN	10 06/03/08 - NYW RELEASE
11 19/03/08 - NYW	ADD SMA DIMENSION
12 01/07/08 - NYW	CHANGE MMCX PLUG P/N (OLD P/N COSBA30174001).
13 05/27/08 - NYW	CHANGE WASHER AND NUT OPTIONS
14 31/03/09 - GFC	CHANGE MMCX PLUG P/N (OLD P/N COSBA3K174001).
15 26/08/10 - PCY	ADD WORKING FREQUENCY RANGE.
16 05/08/10 - NYW	ADD ORIENTATION OPTIONS. ADD CABLE SIZE OPTIONS.
17 01/09/20 - NYW	ADD CABLE OPTION. UPDATE SMA & MMCX P/N.

Scale: NTS	THIRD ANGLE	Unstated X .XX .XXX ANGLES	Tolerances: N/A N/A N/A N/A	Material SEE NOTE
Drawn: NYW				
App'd: XXX	Title: CABLE ASSEMBLY	NOT TO SCALE		
Date: 1 SEP. '20	Revision: 1.7	Unit: mm		

www.gradconn.com

© THIS DRAWING IS CONFIDENTIAL AND MUST NOT BE COPIED OR DISCLOSED WITHOUT WRITTEN CONSENT

Type: Cable 037 RF
CABLE 037 RF
Drawing Number:
Sheet 1 of 1
Drawing © E and O E